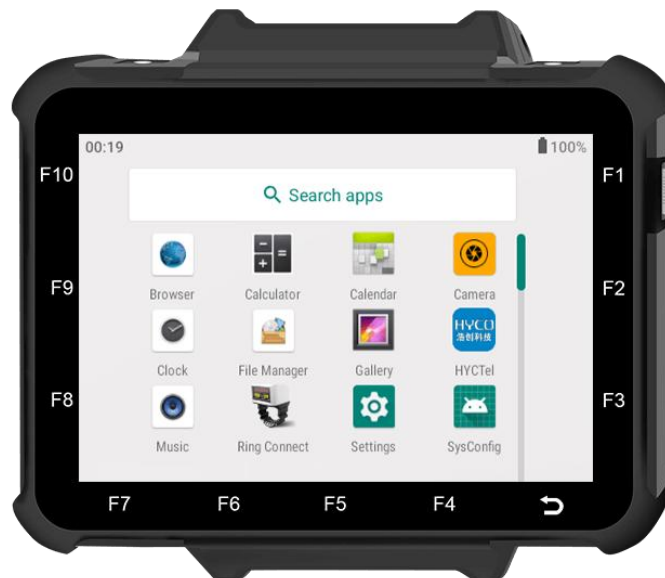


W563 Wearable Computer

User Manual



HYCO
IoT Innovator

www.hycoiot.com

Disclaimer

Disclaimer ©2018 Shanghai Hyco Genyong Technology Co., Ltd. All rights reserved.

Please read through the manual carefully before using the product and operate it according to the manual. It is advised that you should keep this manual for future reference.

Do not disassemble the device or remove the seal label from the device. Otherwise, Shanghai Hyco Genyong Technology Co., Ltd. does not assume responsibility for the warranty or replacement.

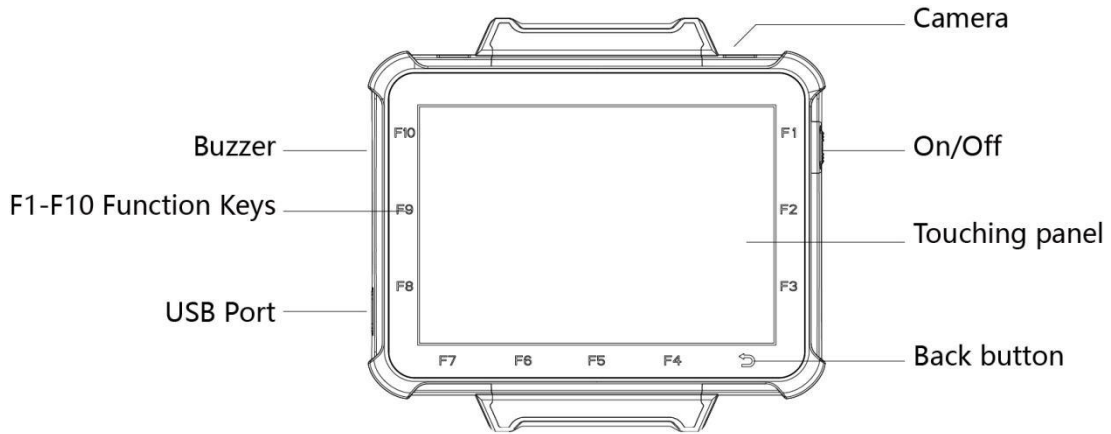
All pictures in this manual are for reference only and actual product may differ. Regarding to the product modification and update, Shanghai Hyco Genyong Technology Co., Ltd. reserves the right to make changes to any software or product to improve reliability, function, or design at any time without notice. Besides, the information contained herein is subject to change without prior notice.

The products depicted in this manual may include software copyrighted by Shanghai Hyco Genyong Technology Co., Ltd. or a third party. The user, corporation or individual, shall not duplicate, in whole or in part, distribute, modify, decompile, disassemble, decode, reverse engineer, rent, transfer or sublicense such software without prior written consent from the copyright holders.

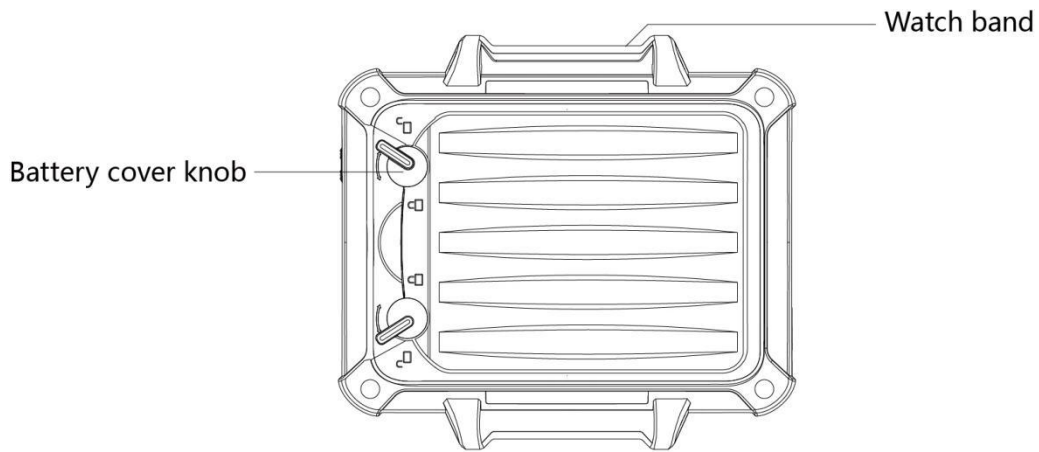
This manual is copyrighted. No part of this publication may be reproduced or used in any form without written permission from Hyco.

Please visit www.hycoiot.com or check the latest version of the specification sheet for the latest product information

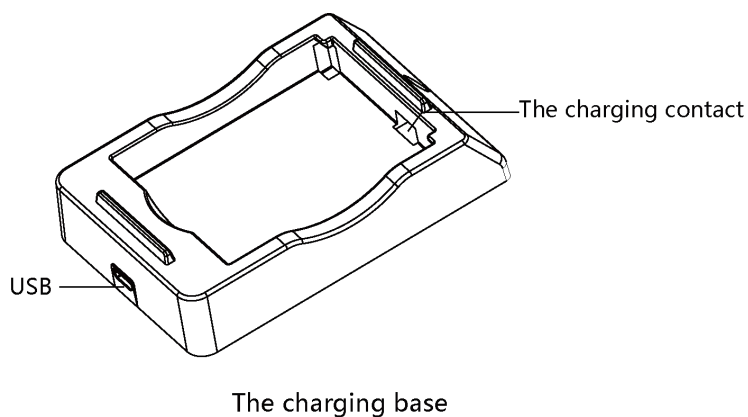
Design



Front



Back



Components

Components	Quantity	Usage
Wearable Computer	1	Receive with display scanning data, export to backend server
Adapter	1	Charging adapter to connect with power
USB Cable	1	Connect Wearable Computer with adapter
Battery	2	Battery supply for Wearable Computer
Battery charger	1	Charging battery
Certificate	1	Factory certification
Manual	1	Device description and usage

Specifications

Model	W563
Weight	245g
Dimensions (W*D*H)	96.5mm*87.4mm*26mm (without Wearable Computer strap)
Display	3.5-inch screen with resolution of 320*480/640*960 (optional)
CPU	Quad 2.0GHz Cortex-A53+Quad 1.5GHz Cortex-A53

Storage	64GB Flash ROM and 4GB RAM
Operation System	Android 9.0
Function Keys	F1-F10 customizable shortcut keys
Touching Panel	Capacitive touching panel
Camera	8MP HD camera
Audio Output	Speaker, bluetooth headset
Audio Input	Highly sensitive waterproofing MIC
Communication	WiFi/4G (optional)
Bluetooth	BT4.1+HS, compliant V3.0+HS and V2.1+EDR.
USB	USB2.0
Battery(Swappable)	3600mAh @3.8V
GPS	GPS/Galileo/Glonass
Battery Life	15 hours
Wearing	On wrist/arm
IP Level	IP66
Operating Temperature	-10°C to 50°C (14°F to 122°F)
Humidity	0%-95%RH (non condensing)

Functions

1. Power on/off

Long press the power button on the right side of Wearable Computer for three seconds.

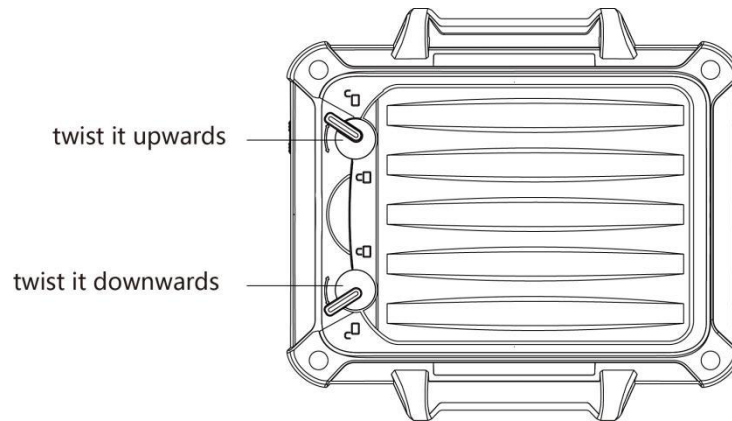
2. How to charge

Connect USB cable with adapter and Wearable Computer, plug the adapter into power port.

Tips: it is recommended to charge Wearable Computer after Wearable Computer is switched off.

3. How to replace the battery

Twist the two battery locks and take the battery out of the Wearable Computer, replace it with the replacement battery.



4. How to pair with ring scanner

Method 1:

Click the “Ring Connection” icon in the drop-down menu or the “Ring Connection” app on home page, scan the barcode as closely as possible, when the ring light turns green, it will automatically jump back to home page and shows successful connection icon on the top right corner in Wearable Computer.



Method 2:

2) In the Settings, click “Bluetooth”, turn on the Bluetooth, choose the series

number printed on ring to connect, when the ring light turns on green, Bluetooth is connected successfully.

5. How to connect with Bluetooth headset?

In the Settings, click “Bluetooth”, turn on the Bluetooth, choose the Bluetooth headset name to connect.

6. How to synchronize date and time

In the Settings, click the “Date and time” to set and synchronize the date and time.

7. How to export the scanning data into the text field in Wearable Computer?

1) APP which is developed by HYCO could receive and display the scanning data from ring directly.

2) APP which is not developed by HYCO and the Browser need to open the HID mode in Wearable Computer. How to open: In the Settings, click “Language and Input”, choose “Google Pinyin IME” to activate HID mode. Scanning data could be exported to any text field in Wearable Computer after HID activated.

8. Input method setting

Click “Language and Input”, choose and change the keyboard mode in the current keyboard list.

9. How to change on-screen keyboard color?

In the Settings, click the “Language and Input”, then choose the “Keyboard & Input methods” -- “Current Keyboard” --select “Google Pinyin IME”, choose the color of keyboard font (white, black, blue, yellow, red, green) in the “Google Pinyin IME” to differentiate the background color of the interface.

10. How to uninstall the APP

1) Press and drag the APP icon to “Recycle Bin” on home page

2) In the Settings – choose and click the app you want – click uninstall.

11. USB debugging setting

Steps:

Click the “ Settings ” - System-Developer Options-Debugging-USB debugging, click “ confirm ” to activate the debugging mode. It is only used when user needs to develop procedures or install procedures from PC into Wearable Computer.

12. How to upgrade system?

Upgrade system online, steps: Settings - about Wearable Computer - System Upgrade - Check Now - Choose new system version to upgrade.

Services

Warranty: one year for Wearable Computer, half year for battery and accessories.

Notice

»The Wearable Computer window must be kept clean. Improper usage will breach the limited warranty clauses

- » Avoid rough objects scratching the window
- » Remove stains from window by soft cloth
- » Do not spray any liquid onto the window
- » Use cleaning water to clean.

HYCO Technology

Website: www.hycoiot.com

Email: global_sales@hycoiot.com